



palmair[™] *louvres*

by breezway

- Tighter sealing to keep out rain.
- Mechanism hidden for clean, aesthetic look.
- More secure to keep your home safe.
- Non-corrosive materials.

breezway[®]
A JELD-WEN Company

FOUR steps to replace your windows (Pre-Window Installation)

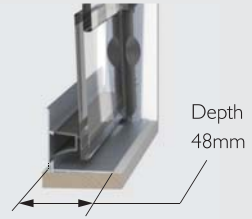
Please visit the Palmair Louvre website for more information www.palmairlouvres.com

1

Check your existing window frame is suitable.

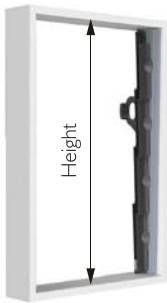
The Palmair Louvre System requires a minimum flat frame depth of 48mm.

Please check the condition of your window frame prior to installation to determine whether the frame needs replacing or repair. Ensure frame is in good condition and finished with an appropriate paint or sealant.



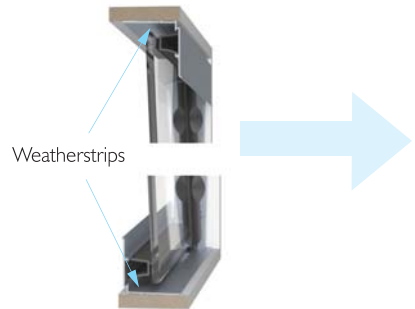
2

Source your Palmair Louvre System Components.



Measure the height of the inside of your frame to determine the size needed for your Palmair Louvre Gallery.

Palmair Louvres are available in standard size heights only. See size height chart in section above for more information. Choose the standard height that best suits your opening, remembering that these heights already allow 5mm for the weatherstrip. Some adjustment to the opening height may be required to achieve the required height.



The Palmair Louvre System has a weatherstrip at the top and bottom to ensure good sealing of the glass blades.

Measure the inside width of your frame to determine the size needed for your Palmair Weatherstrip. The aluminium weatherstrip is the same length as your window opening width. You can allow the same length for the plastic insert, it will be trimmed down later.

3

Remove old windows.

Always wear appropriate protective equipment and take actions to protect the safety of others. Remove the old glass blades, strip hardware and original framing system (if required) from your window area and prepare the opening for your new Palmair Louvre Set to be installed.

Make sure the new or existing frame installed into the window area sits plumb and square in the area and has been pre-finished before installation of the Palmair Louvre Set.

4

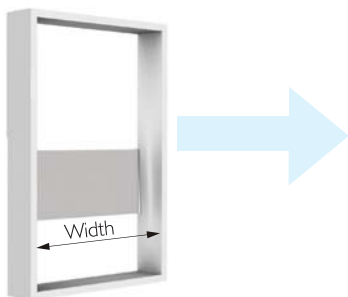
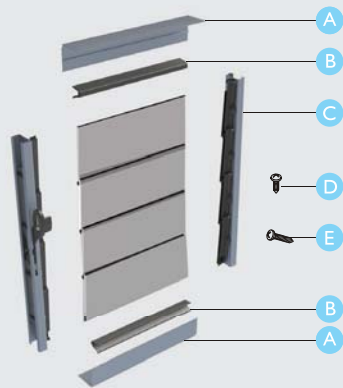
Installing the Palmair Louvre System into your opening.

Follow the step-by-step installation instructions that come included in your Palmair Louvre Set.

You will need to purchase the following:

- Palmaid Louvre Gallery (see details below)
- Top/Bottom Weatherstrip and Weatherstrip Insert
- Glass blades
- Fixing screws

- A** Top/Bottom Weatherstrip
B Weatherstrip Insert
C Louvre Gallery
D Stainless Steel Phillips Pan Head Screws
8 Gauge x 12mm for Weatherstrip
E Supplied Stainless Steel Phillips Countersunk Screws
8 Gauge x 30mm for Palmaid Louvre Gallery



Glass blades must be 6mm thick and are available in either clear, tinted or obscure.

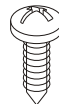
Tempered glass is also available and is an important consideration in wet areas, near doorways, in high traffic areas or where the risk of a breakage is higher. Tempered glass is considerably stronger than normal annealed glass and if broken will shatter into smaller, safer pieces.

Louvre window blade lengths are limited to 900mm by local building code regulations. For superior performance, we recommend a maximum blade length of 750mm. If your opening is too wide you will need to add a mullion using good industry practice or consult a Breezway Window Dealer or building contractor.

Glass blade length = Inside opening width – 48mm.

When installed, blades should have horizontal movement within the louvre clip of up to 6mm.

Phillips Pan Head Screws
#8 Gauge x 12mm for Weatherstrip



Supplied Phillips Countersunk
Screws #8 Gauge x 30mm
for Palmaid Louvre Gallery



Palmaid Louvre Galleries include fixing screws.

Weatherstrip requires the purchase of Stainless Steel Phillips Pan Head Screws #8 Gauge x 12mm. The quantity required will vary depending on the width of your window opening.

Weatherstrip is to have one fixing with 40mm from each end and additional fixings at least every 200mm. Please discuss the correct screw type for your application with the hardware store.

Palmaid™ Louvres with Weatherstrip (Standard Heights)*

No. of Blades	102mm Blade	152mm Blade
2	-	309mm
3	297mm	449mm
4	386mm	589mm
5	475mm	729mm
6	564mm	869mm
7	653mm	1009mm
8	742mm	1149mm
9	831mm	1289mm
10	920mm	1429mm
11	1009mm	1569mm
12	1098mm	1709mm
13	1187mm	1849mm
14	1276mm	1989mm
15	1365mm	2129mm
16	1454mm	-
17	1543mm	-
18	1632mm	-
19	1721mm	-
20	1810mm	-
21	1899mm	-
22	1988mm	-

* For Palmaid Louvres without weatherstrip, deduct 5mm from these standard heights.

Would you like to do more with your design?

If you would like to do more with the design of your Louvres (e.g. different sizes, colours, to handles and a higher performing window solution), please visit www.breezway.com.my to learn more about the variety of options available with our premium **Altair® Louvre Windows**

Care & Maintenance

Regular maintenance of the surface finish will be necessary to reduce the rate of weathering. The frequency of cleaning will depend on the environmental conditions, but as a guide should be done at monthly intervals. See our website for more information.

Warranty

Up to 7 years warranty. Please visit www.palmairlouvres.com for full terms and conditions.

Malaysia (Asia Head Quarter)

Breezway (Malaysia) Sdn Bhd

No 39, Jalan Wawasan 3/KU 7
Kawasan Perindustrian Sungai Kapar Indah
42200 Klang
Selangor Darul Ehsan, Malaysia
Reg# 601783-T
Telephone: +60 3 3291 4885
Facsimile: +60 3 3291 9887
1300 888 339 (from within Malaysia)
Email: malaysiasales@breezway.com
Website: www.breezway.com.my

Breezway Experience Centre

B-07-25, Empire Subang Soho
Jalan SS 16/1, 47500 Subang Jaya
Selangor Darul Ehsan, Malaysia

For more information or technical advice, please contact your local Retailer.

BRONCO SYNERGY RESOURCES SDN. BHD.

No. 5, Jalan Sungai Burung X32/X Seksyen 32
Bukit Rimau, 40460 Shah Alam, Selangor Darul Ehsan.

Tel: +603-51212831 Fax: +603-51210831
Email: broncosynergy.net@gmail.com
Website: www.bsr.com.my

breezway
A JELD-WEN Company